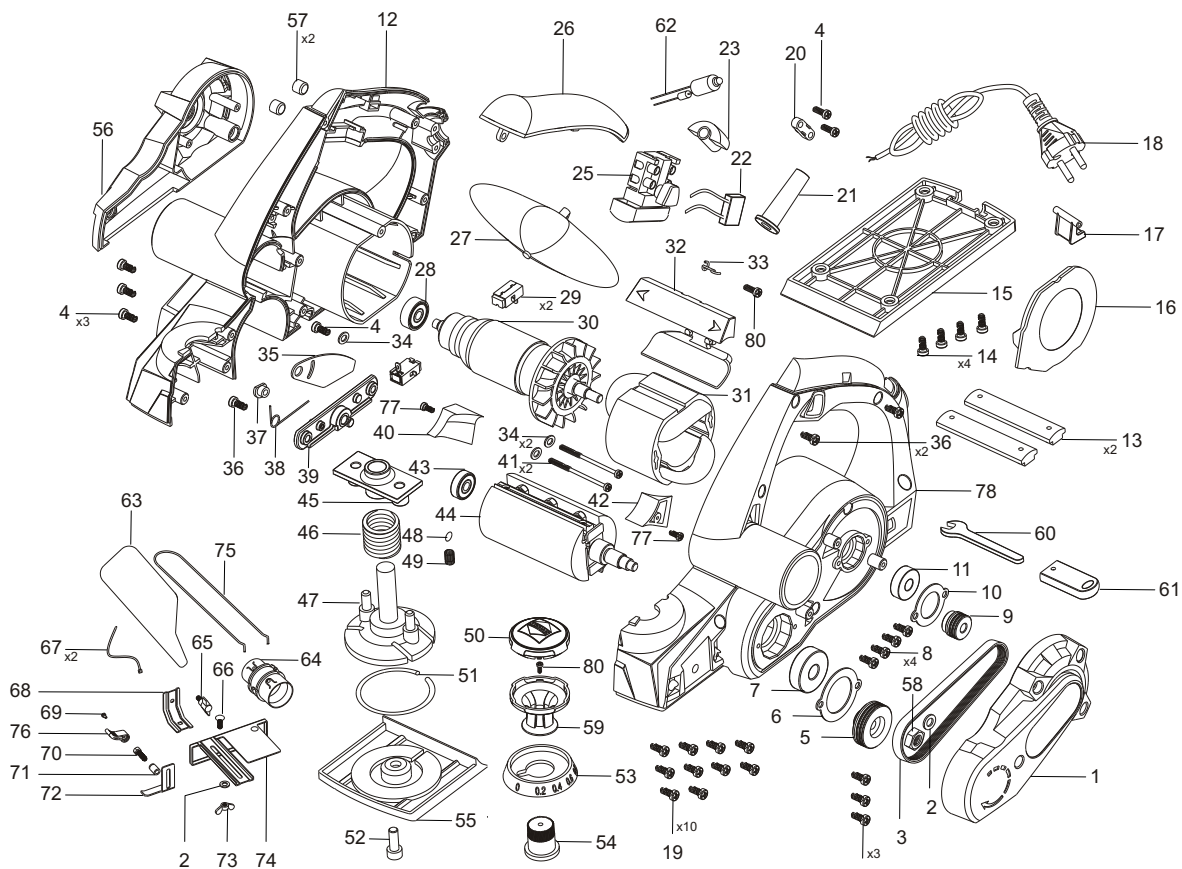


POS. No.	Ref.No.	Description	POS. No.	Ref.No.	Description
1	185656	Left Cover	42	185645	Wind Guide block B
2	181724	Flat Washer	43	185658	Bearing
3	185652	Belt	44	185659	Cutter Body
4	185619	Screw	45	181771	Adjust bracket
5	185655	Passive wheel	46	185664	Spring
6	185654	Big plate	47	185665	Adjusting Plate A
7	185678	Bearing	48	185669	Steel ball
8	181743	Tapping screw	49	185670	Spring
9	185651	Driving Wheel	till 12.Aug.2012 - 50	185661	Adjusting knob
10	185650	Small plate	50	186797	Adjusting knob
11	185649	Bearing	51	185666	Spring
12	185624	Right Housing	52	185668	Bolt
13	185632	Slat	53	185662	Graduation Ring
14	185679	Screw	54	185663	Nut Bushing
15	185630	Base plate	55	185667	Adjusting Plate B
16	185633	Air Deflector	56	185625	Right Cover
17	185631	Support	57	181753	Brush Lining
18	181748	Cable	58	181723	Screw
19	181756	Tapping screw	till 12.Aug.2012 - 59	185660	Knob Cover
20	185620	Cable Clamp	59	186798	Knob Cover
21	185618	Cable bushing	60	185647	Spanner
22	181781	Capacitance	61	185648	Wrench box
23	185622	Light cover	62	185621	Ne light
25	181736	Switch	63	185677	Dust bag
26	185623	Hand cover	64	185675	Dust extraction Adaptor
27	185627	Adjustable flap	65	185673	Bolt
28	185634	Bearing	66	181774	Bolt
29	185690	Brush Holder +Brush	67	185680	Wire ties
30	185642	Rotator	68	185674	Fixed fram
31	185643	Stator	69	185671	Bolt
32	185628	Push block	70	181783	Screw
33	185629	Spring	71	181782	Bushing
34	181769	Flat Washer	72	185672	Depth gauge
till 13.Aug.2012 - 35	185635	Baffle	73	181775	Wing nut
35	186796	Baffle	74	181777	Cutting Width Guide
36	185637	Screw	75	185676	Steel wire
37	185636	Bushing	76	181784	Knob
38	185638	Spring	77	185640	Screw
39	185639	Support	78	185646	Left Housing
40	185641	Wind Guide block A	80	186794	SCREW ST4X10
41	185644	Screw			



185617

185616